

HCB-6000

1080p аналоговая HD камера



Key Features

- Разрешение Full HD
- 0,09 лк при F1.2 (цветн.), 0,009 лк при F1.2 (Ч/Б)
- Дневной и ночной (с выдвижным ИК фильтром) режимы, WDR (120 дБ)
- SSNRIV, обнаружение движения
- Дальность передачи макс. 500 м
- Простая установка (Plug & play), двойное питание, RS-485

Compatible lenses



SLA-M2890DN

Compatible Accessories (Optional)



SHB-4200



SHB-4301HP



SHB-4200H



SHB-4300H1



STB-4150V

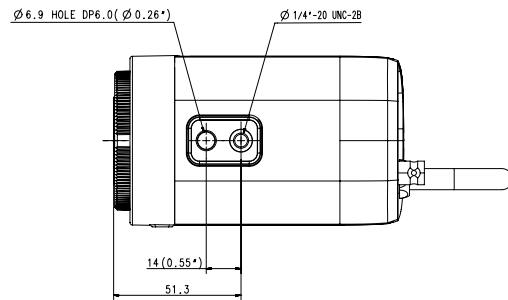
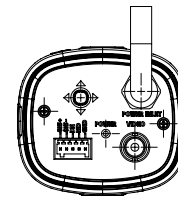
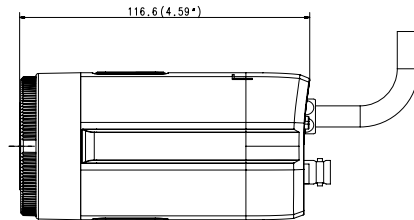
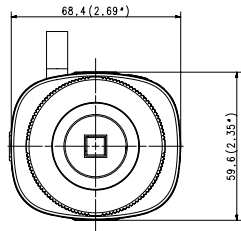
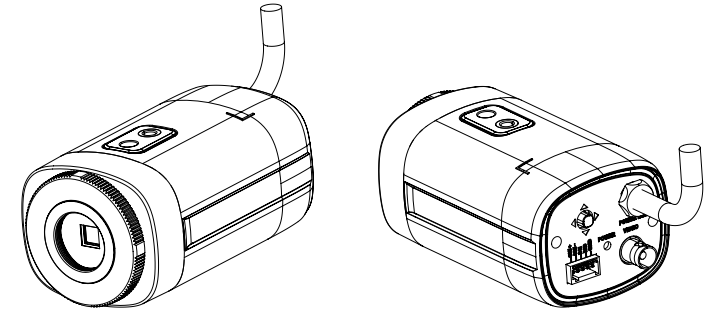
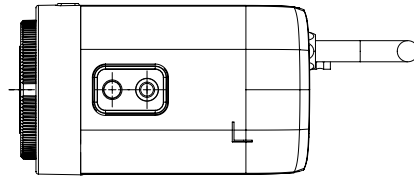
Video	
Imaging Device	1/2.8" 2MP CMOS
Resolution	1920x1080
Max. Framerate	30fps / 25fps(60Hz / 50Hz)
Min. Illumination	Color: 0.09Lux(F1.2, 1/30sec) BW: 0.009Lux(F1.2, 1/30sec)
Video Out	BNC(AHD / TVI / CVI / CVBS Selectable)
Video Transmission Distance	500m(5C2V Coaxial Cable) 300m(5C2V Coaxial Cable)
Lens	
Focus Control	Manual
Lens Type	DC auto iris
Mount Type	C mount, CS mount
Operational	
Camera Title	Displayed up to 15 characters
Day & Night	Auto(ICR)
Backlight Compensation	BLC, HLC, WDR
Wide Dynamic Range	120dB
Digital Noise Reduction	SSNRIV
Defog	Support
Motion Detection	4ea
Privacy Masking	8ea, rectangular zones
Gain Control	Low / Middle / High / Very High
White Balance	ATW / AWC / Manual / Indoor / Outdoor
Electronic Shutter Speed	1 ~ 1/12,000sec
Video Rotation	H-Rev / V-Rev
Analytics	Motion detection
Serial Interface	RS-485(Samsung-T, Pelco-D/P, Panasonic, Bosch, AD, GE, Vicon, Honeywell)
Alarm I/O	MD output 1ea, External D/N 1ea
Alarm Triggers	Analytics
Alarm Events	Alarm output
Coaxial Protocol	ACP(AHD Coax Protocol), TCP(TVI Coax Protocol), CCP(CVI Coax Protocol) CVBS: Pelco-C(Coaxitron)
Environmental & Electrical	
Operating Temperature / Humidity	-10°C ~ +55°C(+14°F ~ +131°F) / Less than 90% RH
Input Voltage	24VAC, 12VDC
Power Consumption	Max 3.5W
Mechanical	
Color / Material	Black / Aluminum, Ivory / Plastic

Product Dimensions / Weight

68.4(W)×59.6(H)×92.7(D)mm(2.69×2.35×3.65"), 186g(0.41 lb)

- The latest product information / specification can be found at hanwha-security.com
- Design and specifications are subject to change without notice.
- Wisenet is the proprietary brand of Hanwha Techwin, formerly known as Samsung Techwin.

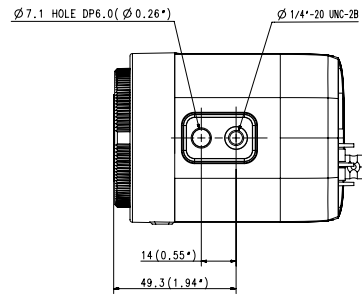
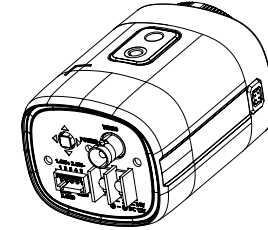
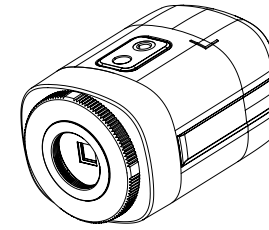
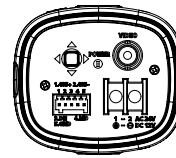
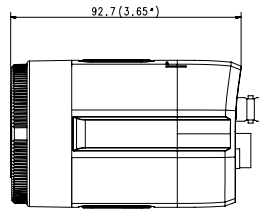
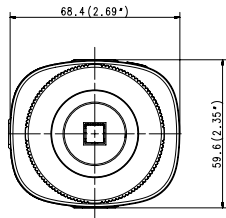
NO	PART NAME	CODE NO.	MATERIAL	Q'TY	REMARK
1					



CHANGE

UNIT	DATE	DESIGN	CHECK	APPROVAL	PART NAME	
SCALE	1/1	HTW	-	-	MODEL NAME	-
		17.07.26	17.07.26	17.07.26	MODEL NAME	HCB-6000PH/7000PH SCB-6003PH
HANWHA TECHWIN					CODE NO.	057843

NO	PART NAME	CODE NO.	MATERIAL	Q'TY	REMARK
1					



CHANGE

UNIT	DATE	DESIGN	CHECK	APPROVAL	PART NAME	
		HTW	-	-		-
SCALE	1/1	17.07.26	17.07.26	17.07.26	MODEL NAME	HCB-6000/7000
HANWHA TECHWIN					CODE NO.	057837